



DEWEI CARBIDE

铣刨齿

Road Milling Inserts



浙江德威硬质合金制造有限公司
ZHEJIANG DEWEI CEMENTED CARBIDE MANUFACTURING CO.,LTD

以真诚连结客户，以创新架构未来

Contacting customers with sincerity, and creating the future by innovation

浙江德威，坐落于“中华全国建工基地”之称的乐清市芙蓉镇，依山傍海，风景秀丽，距离甬台高速雁荡山出口仅十公里，离温州机场 80 公里，货物到达宁波港仅两个多小时，交通便利。

本公司设计、开发、制造的硬质合金及其成品工具以优良的品质、合理的价格和优质的售后服务深得国内外客户的赞赏。公司已按照 ISO9001 质量保证模式建立了质量体系。其硬质合金制品以国际上先进的低压烧结技术、成熟的热处理工艺保障，能够为客户提供满意的优质产品。

德威公司秉承“以真诚连结客户，以创新架构未来”的企业宗旨，把人才战略放在首位，加强管理，不断提升产业层次，竭诚欢迎海内外新老客户惠顾。

Zhejiang Dewei is located in "China national hammer drill tool base" Furong Industrial Park, Yueqing city, near mountain and sea with beautiful scenery. There have convenient transport facilities, only 10KM away from Yandang exit Yong-Tai-Wen expressway, 80KM from Wenzhou Airport, and about 2 hours for delivering goods to Ningbo seaport.

By virtue of its high quality, reasonable price, and perfect aftersale service, the tungsten carbide products and finished tools designed, developed, and produced by the company have got high appreciation from clients home and abroad. The company has established a quality assurance system according to the ISO9001, and ensured by the internationally advanced HIP sintering technic and Heat Treatment technic, its tungsten carbide products are of high quality to meet its clients' requirements.

The company, by virtue of its aim "Contacting customers with sincerity, and creating the future by innovation", is now focusing on enhancing management and industrial level. Setting an enterprise talents strategy has been given high throughout the management. We sincerely welcome the patronage of domestic and foreign customers.

Carbide Grades

牌号 Grade	晶粒度 Grain Size	粘结相 Binder (%)	硬度 Hardness (HRA)	抗弯强度 TRS (Mpa)	密度 Density (g/cm)	牌号说明 Grade Description	应用领域 Application		
							凿岩钎具 Rock Drilling	截齿 Conical Bits	石油开采 Oil Exploitation
PDK10.8	超粗 ultra coarse	6	89.0	2100	14.90-15.05	具有良好的韧性和抗疲劳性能，适用于采矿、隧道等截齿及挖路齿。 Can be used for bits of mining, tunnel and road planning bits. It has excellent toughness and thermal fatigue property.	●	○	
DK30.4	粗 coarse	9	87.5	2800	14.55-14.70	具有良好的韧性和抗疲劳性能，适用于采矿类截齿、三牙轮钻头用齿。 Can be used for bits of mining and tunnelling. It has excellent toughness and thermal fatigue property.	●		○
DK20	粗 coarse	10	87.5	2800	14.40-14.60	具有良好的韧性和抗疲劳性能，适用于采矿类截齿、三牙轮钻头用齿。 Can be used for bits of mining and tunnelling. It has excellent toughness and thermal fatigue property.	●		○
PDK35.5	超粗 ultra coarse	10	86.6	2200	14.45-14.60	具有良好的韧性和抗疲劳性能，适用于采矿、隧道类截齿和盾构刀头。 Can be used for bits and shield cutter of mining and tunnelling. It has excellent toughness and thermal fatigue property.	●	○	
DK40.2	粗 coarse	11	86.8	2800	14.35-14.50	具有良好的韧性和抗疲劳性能，适用于采矿类截齿和盾构刀头。 Can be used for bits and shield cutter of mining and tunnelling. It has excellent toughness and thermal fatigue property.	●	○	

● 推荐牌号 Recommended Grade ○ 次选牌号: Second Selection Grade



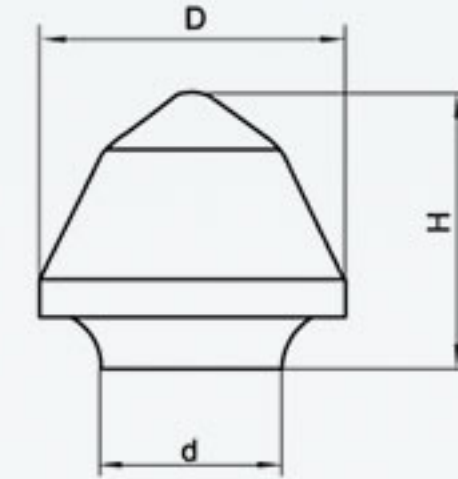
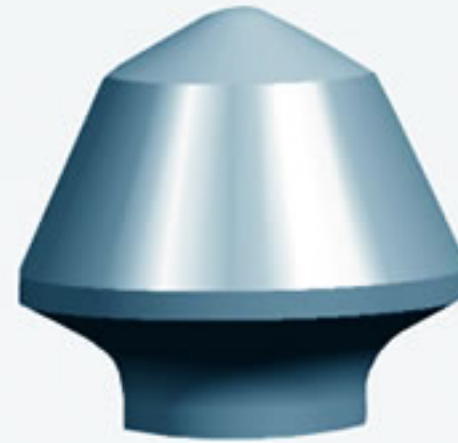
铣刨齿

Road Milling Inserts

规格 Type	型号 Dimension(mm)		
	D	H	d
DW-90003	18.0	17.0	10.0

※注:可按客户要求生产

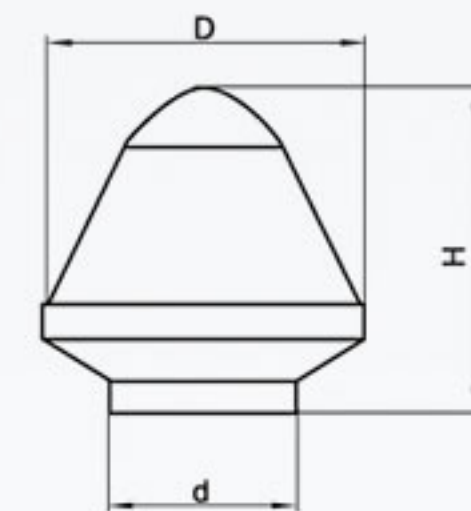
※ Note:Can be customized according to customer's requirements



规格 Type	型号 Dimension(mm)		
	D	H	d
DW-92003	16.0	17.5	9.0
DW-06002	16.2	17.5	8.6
DW-09010	16.2	17.5	10.0

※注:可按客户要求生产

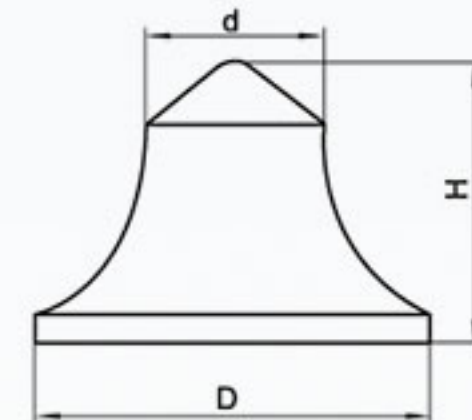
※ Note:Can be customized according to customer's requirements



规格 Type	型号 Dimension(mm)		
	D	H	d
DW-02005	24.0	21.0	16.5

※注:可按客户要求生产

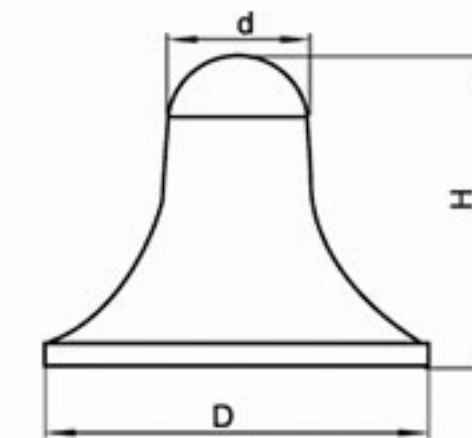
※ Note:Can be customized according to customer's requirements



规格 Type	型号 Dimension(mm)		
	D	H	d
DW-03001	17.0	16.6	9.0
DW-04001	17.5	16.1	9.0

※注:可按客户要求生产

※ Note:Can be customized according to customer's requirements



2 DEWEI CARBIDE

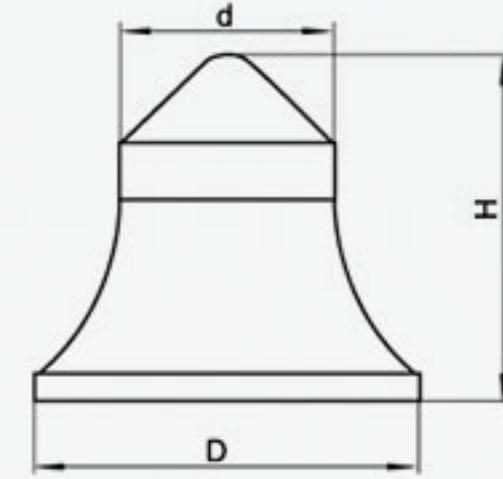
铣刨齿

Road Milling Inserts

规格 Type	型号 Dimension(mm)		
	D	H	d
DW-09001	18.8	17.5	10.5
DW-10001	18.9	17.5	11.6

※注:可按客户要求生产

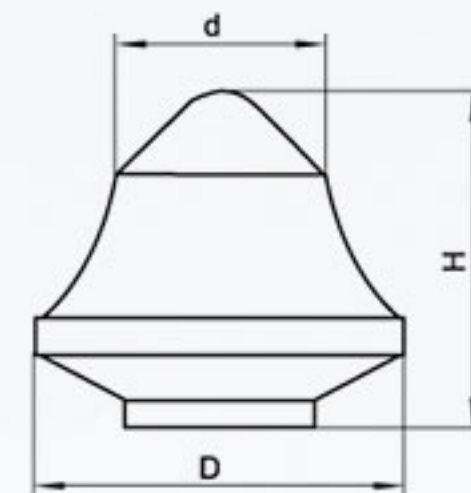
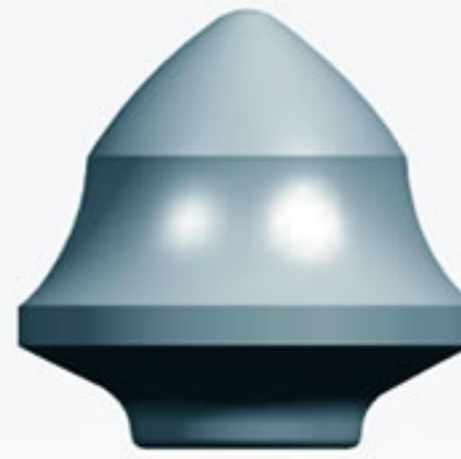
※ Note:Can be customized according to customer's requirements



规格 Type	型号 Dimension(mm)		
	D	H	d
DW-06003	24.71	23.75	17.27
DW-06004	29.00	32.00	19.20
DW-07004	17.70	20.20	11.00

※注:可按客户要求生产

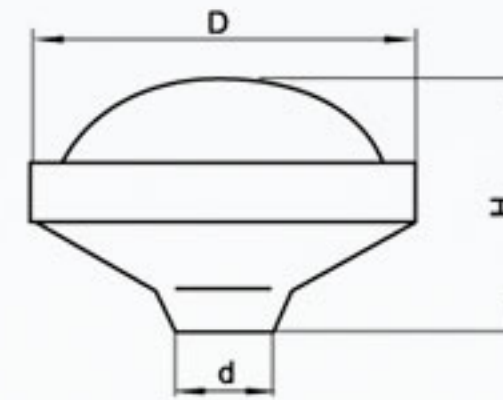
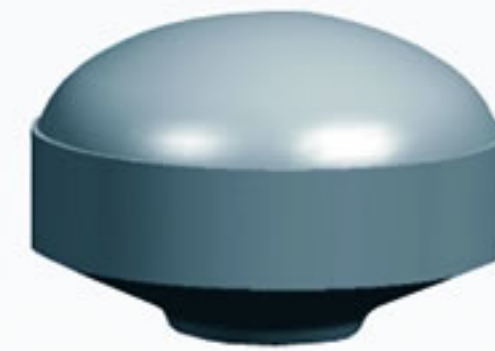
※ Note:Can be customized according to customer's requirements



规格 Type	型号 Dimension(mm)		
	D	H	d
DW-06005	16.20	14.60	8.60
DW-06006	16.20	11.53	8.60

※注:可按客户要求生产

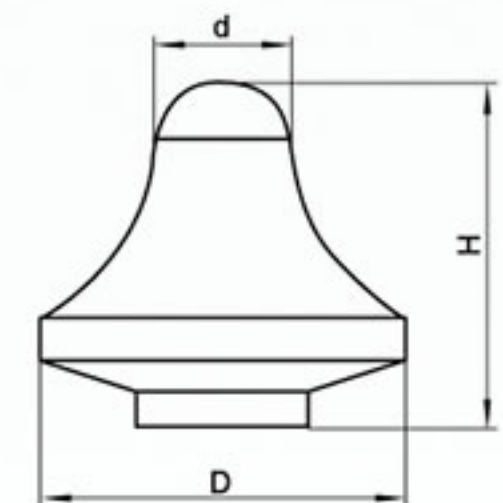
※ Note:Can be customized according to customer's requirements



规格 Type	型号 Dimension(mm)		
	D	H	d
DW-03003	17.0	17.5	9.0

※注:可按客户要求生产

※ Note:Can be customized according to customer's requirements



DEWEI

3 DEWEI CARBIDE

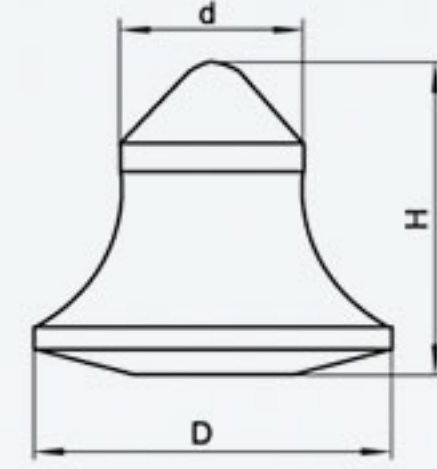
铣刨齿

Road Milling Inserts

规格 Type	型号 Dimension(mm)		
	D	H	d
DW-08014	17.78	13.50	10.00
DW-10003	20.00	20.23	11.50

※注:可按客户要求生产

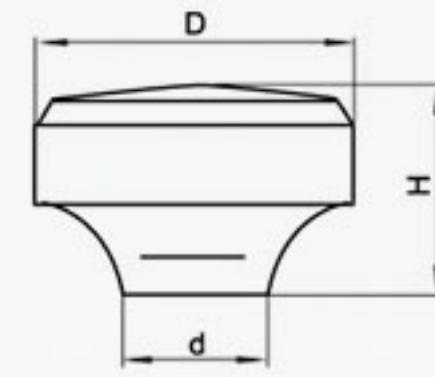
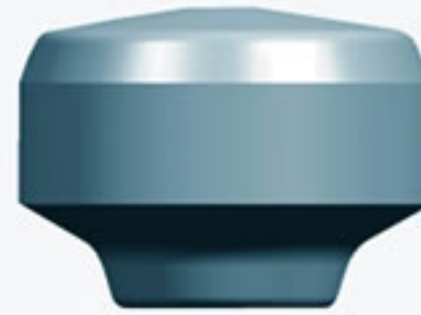
※ Note:Can be customized according to customer's requirements



规格 Type	型号 Dimension(mm)		
	D	H	d
DW-06007	16.20	11.93	8.60

※注:可按客户要求生产

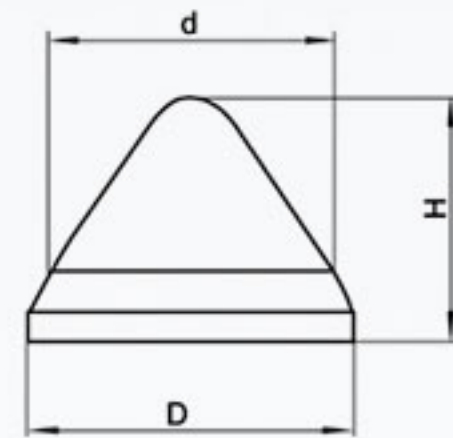
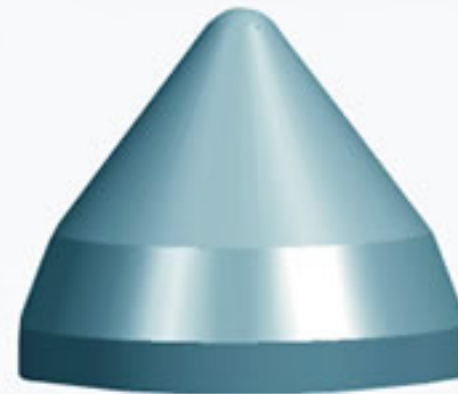
※ Note:Can be customized according to customer's requirements



规格 Type	型号 Dimension(mm)		
	D	H	d
DW-07007	16.13	13.21	11.05

※注:可按客户要求生产

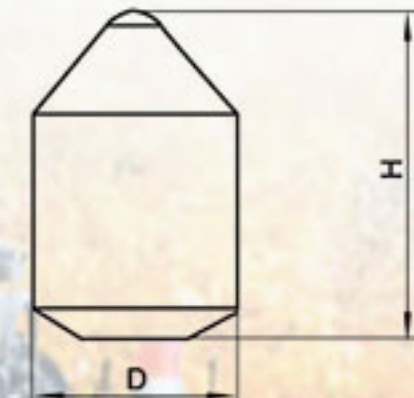
※ Note:Can be customized according to customer's requirements



规格 Type	型号 Dimension(mm)	
	D	H
DW-08016	17.6	28.0

※注:可按客户要求生产

※ Note:Can be customized according to customer's requirements





浙江德威硬质合金制造有限公司

ZHEJIANG DEWEI CEMENTED CARBIDE MANUFACTURING CO.,LTD

地址:中国·浙江·乐清市芙蓉工业区

Add:Furong Industrial Park,Yueqing,Zhejiang,China

电话 (Tel):0086-577-62298508 62298502 62298577

传真 (Fax):0086-577-62298505

邮编 (P.C):325612

Http://www.cn-dewei.com